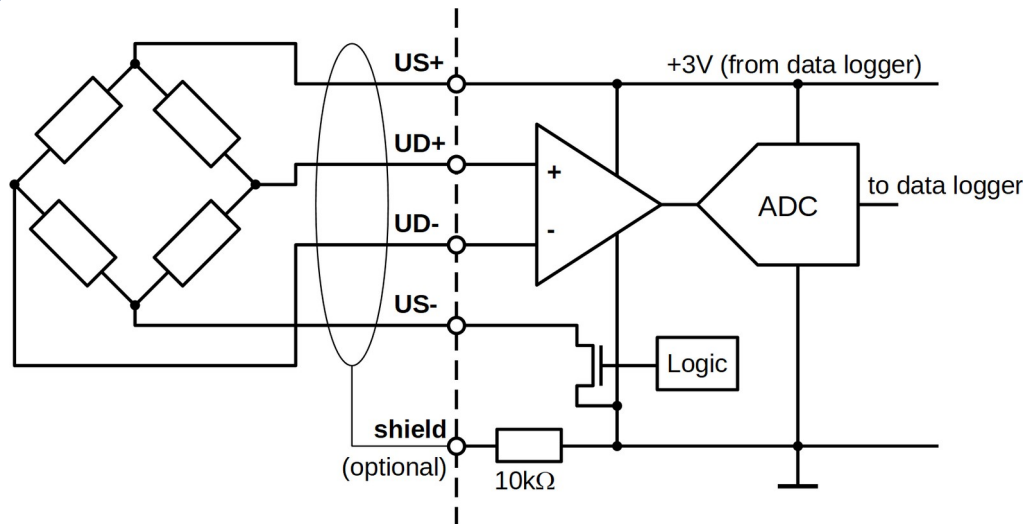


Titel: **Connection for strain gauges****1. Pin Assignment**

- ▶ US+ positive supply of strain gauge, supplied from data logger
- ▶ DU+ positive bridge voltage
- ▶ DU- negative bridge voltage
- ▶ US- negative supply of strain gauge, switched on and off automatically
- ▶ shield connect shield of strain gauge signals (optional)

**2. Strain gauge connections****3. Characteristics**

- full bridge
- rated output 1 mV/V to 4 mV/V
- bridge voltage 3 V
- recommended resistance 350 Ω