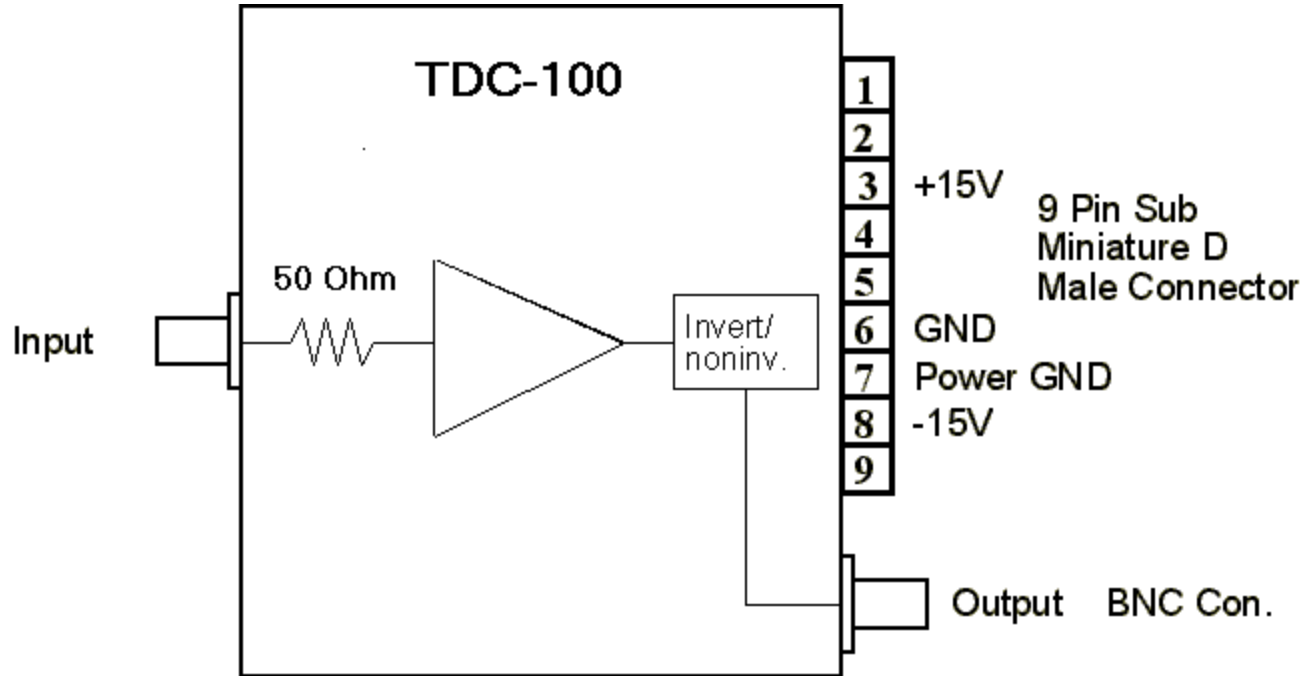




ADVANCED
RESEARCH INSTRUMENTS
CORPORATION



DC to 100 MHz Transimpedance Amplifier

The TDC-100 is FET based. A low noise transimpedance amplifier featuring only 2 μA -p full bandwidth input equivalent noise and 80dB gain. [1V/100 μA]

The output amplitude is $\pm 4\text{V}$ maximum when un-terminated and $\pm 2\text{V}$ maximum when terminated with 50 Ω impedance (recommended).

All ARI Amplifiers typically require a power supply and cabling. Recommended power supply is the ARI Model F-100PS Low Noise ($\pm 15\text{V}$) Power Supply.

[The above specified gain is valid for a 50 Ω load.]