

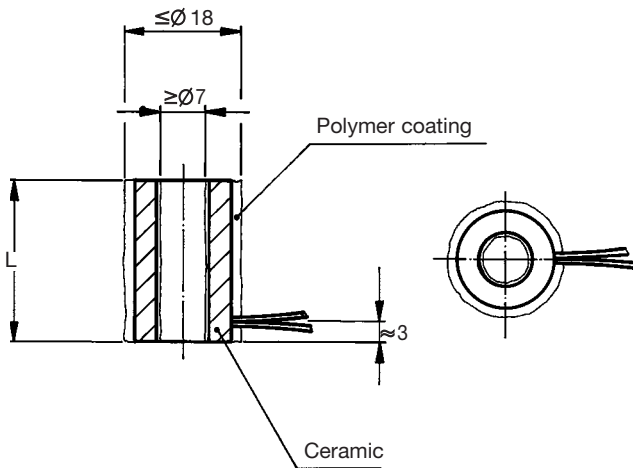
2.5 Electrostrictive low voltage ring actuators

General data: see brochure: "First Steps towards Piezoaction"



HES_t 150/15-8/... bare rings, without casing

Maximum force load: 5000 N



Type	max. stroke	length	el. capacitance	stiffness
	μm	mm	μF	$\text{N}/\mu\text{m}$
HES _t 150/15-8/2	2	3	4	1500
HES _t 150/15-8/4	4	6	8	750
HES _t 150/15-8/6	6	9	12	500
HES _t 150/15-8/12	12	18	22	250

Mechanical end piece **HAg** as Piezo ring actuators HPSt.../15-8/...
Optics adaptor 0A 1/2": see chapter 3



HESt 150/15-8/... VS 22 casing with internal prestress

Prestress force = max. tensile force = 400 N

Maximum load: 5000 N

Open loop sensitivity for 1 mV amplifier noise for actuator

HESt 150/15-8/6 VS22: 0.05 Nanometer



Type	max. stroke μm	length mm	el. capacitance μF	stiffness $\text{N}/\mu\text{m}$
HESt 150/15-8/6 VS22	6	26	12	500
HESt 150/15-8/12 VS22	12	35	22	250
HESt 150/15-8/>12 VS22		on request		

Standard configuration:

Coaxial cable RG 178 length 1 m with BNC connector

Options:

UHV compatibility

Optics adaptor 0A 1/2": see section 3

Adaptor rings AR: see section 3